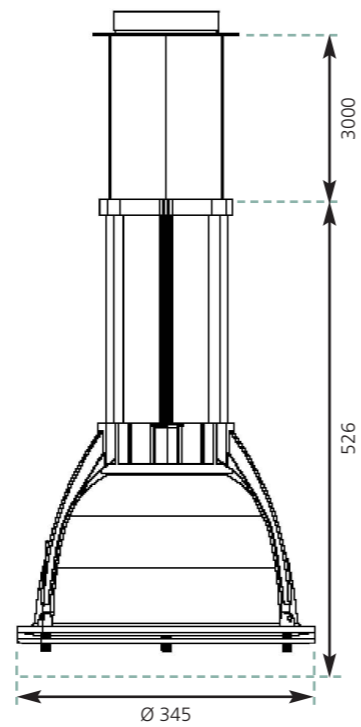


MIRACH

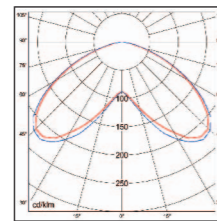
SLI SYLVANIA



⁽¹⁾ With prismatic reflector. ⁽²⁾ With opal & aluminium reflectors.

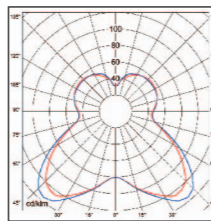


2x42W TE + 5039121



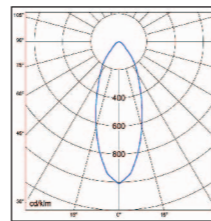
— C0-C180 — C90-C270

3x26W DE + 5039120



— C0-C180 — C90-C270

70W CMI-T + 5039122 + 5039123



— All C planes

Metal halide versions	Lamp Cap	Magnetic versions (230 V)	Electronic versions (220-240 V)
Mirach CMI-T 70W	G12	0039100	
Mirach CMI-T 150W	G12	0039101	
Mirach CMI-T 70W HF	G12		0039102
Mirach CMI-T 150W HF	G12		0039103
Empty version	Lamp Cap		Max 150W
Mirach W/O Gear E27	E27		0039104
Compact fluorescent versions	Lamp Cap	Magnetic versions (230 V)	Electronic versions (220-240 V)
Mirach 2x26W Lynx-D	G24d-3	0039105	
Mirach 3x26W Lynx-D	G24d-3	0039106	
Mirach 2x26W Lynx-DE	G24q-3		0039107
Mirach 3x26W Lynx-DE	G24q-3		0039108
Mirach 2x32W Lynx-TE	GX24q-3		0039107
Mirach 3x32W Lynx-TE	GX24q-3		0039108
Mirach 2x42W Lynx-TE	GX24q-4		0039107
Mirach 3x42W Lynx-TE	GX24q-4		0039108
Reflectors			
Mirach Aluminum reflector D300	5039121		
Mirach Poly reflector D300	5039122	Reflector D170 is required for use with CMI-T lamps	
Mirach Opal Glass reflector D300	5039120		
Mirach Additional Aluminum D170	5039123	Only for use with CMI-T lamps	

CAT02.52



SLI SYLVANIA

Central Europe

SLI Lichtsysteme GmbH
info.de@sylvania-lighting.com
www.sylvania.com
www.sylvania-lamps.com

Deutschland

SLI Lichtsysteme GmbH
Graf-Zeppelin-Strasse 9-12
D-91056 Erlangen
Telefon +49 (0)9131/ 793-500
Telefax +49 (0)9131/ 793-345
info.de@sylvania-lighting.com

Österreich
SLI Lichtsysteme GmbH
Twintower, 12. Stock
Wiener Bergstraße 11/12
A-1100 Wien
Telefon +43 (0)1617 / 45 07 21
Telefax +43 (0)1617 / 45 07 23
info.de@sylvania-lighting.com

Schweiz
Sylvania Lighting S.A.
4, Chemin des Léchères
CH-1217 Meyrin
P.O. Box 368
Telefon +41 (0)22 719 8580
Telefax +41 (0)22 719 8581
info.ch@sylvania-lighting.com

Eastern Europe

Headoffice Central Europe

SLI Lichtsysteme GmbH
Graf-Zeppelin-Strasse 9-12
D-91056 Erlangen
Phone: +49 (0)9131/ 793-500
Telefax: +49 (0)9131/ 793-345
info.de@sylvania-lighting.com

Customer Service

Phone: +49 (0)9131/ 793-498
Telefax: +49 (0)9131/ 793-407

GUTENBERG DRUCKEREI - KUNSTSTOFFWERK 340 997 421 - TEL. +49 477 42 35 00

SYLVANIA



Opal reflector



Aluminium reflector



Prismatic reflector

Reflectors offer:

- > Aluminium Ø300mm,
- > Polycarbonate prismatic Ø300mm,
- > Opal glass Ø300mm,
- > Ø170mm aluminium for CMI-T lamps on prismatic or glass versions.



MIRACH

General application areas

Suitable for medium ceiling heights, staircases, halls, shops, car exhibition areas, airports...

Product description

- > MIRACH is a designer styled pendant luminaire for metal halide, compact fluorescent twin or triple lamps, supplied complete with integral magnetic or electronic gear trays.
- > The housing is die-cast aluminium silver powder coated RAL 9006. Part of the MIRACH product aesthetic, the 5mm toughened glass closure is delivered with all versions (this is mandatory when using metal halide lamp versions).
- > MIRACH pendant includes:
 - 3m suspension & electrical cables,
 - Stainless steel adjustable fixations,
 - Wieland fast connection on the top, facilitating efficient manipulation.
- > MIRACH empty version is provided without gear but an E27 socket suitable for mains halogen tubular 100/150W or Hi-Spot lamps.

MIRACH offers more flexibility:

- > CFL electronic versions suitable for 26, 32 or 42W lamps,
- > With the Ø170mm reflector, MIRACH CMI is decorative with intensive light distribution.